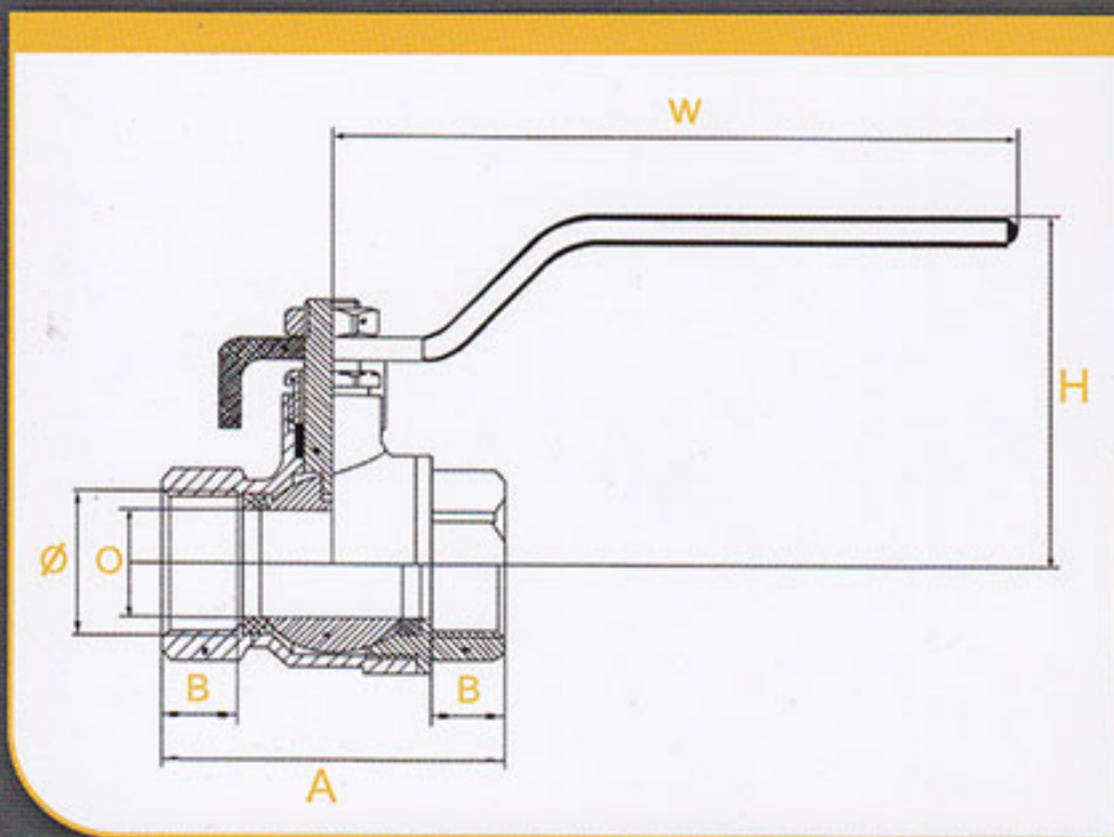
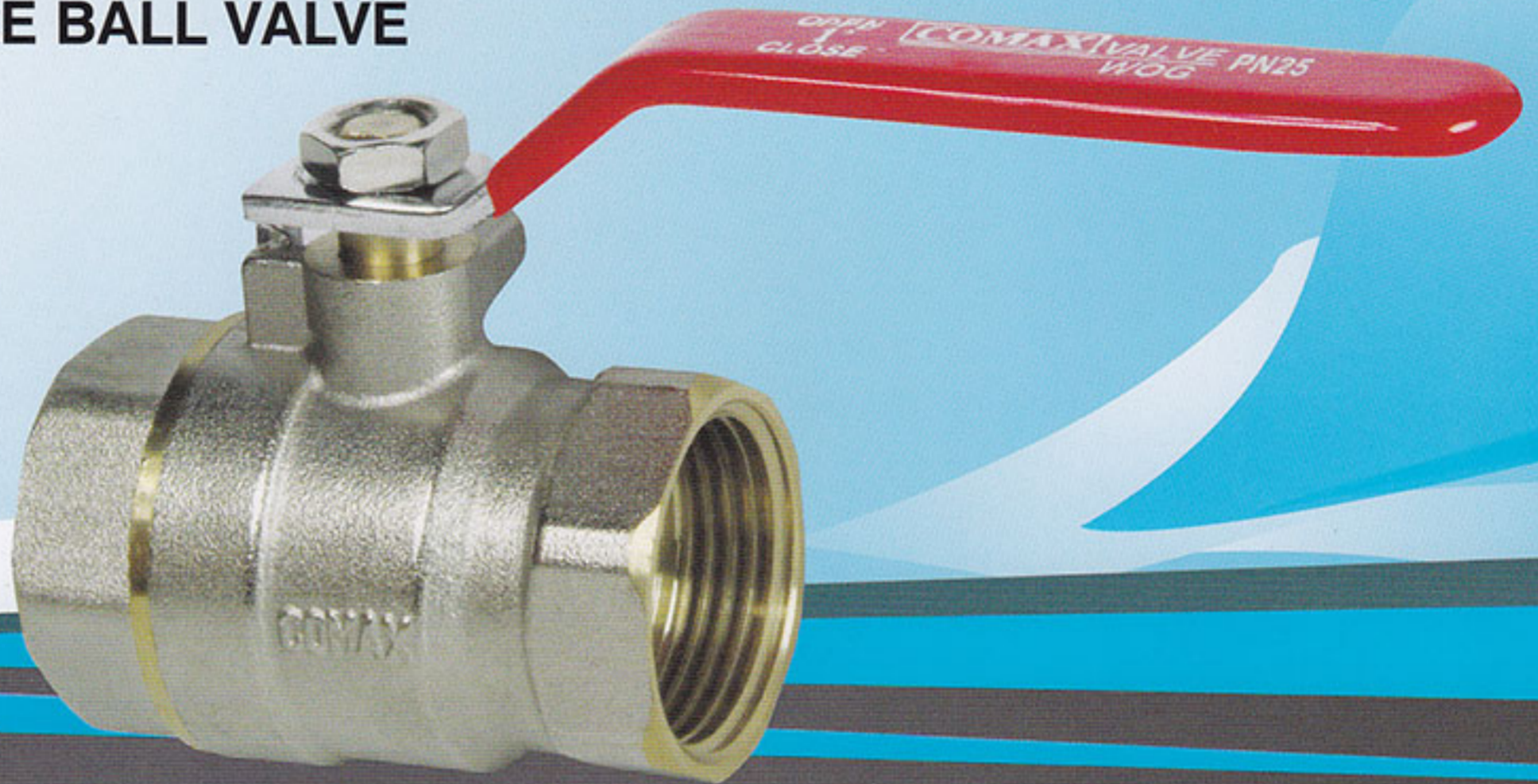


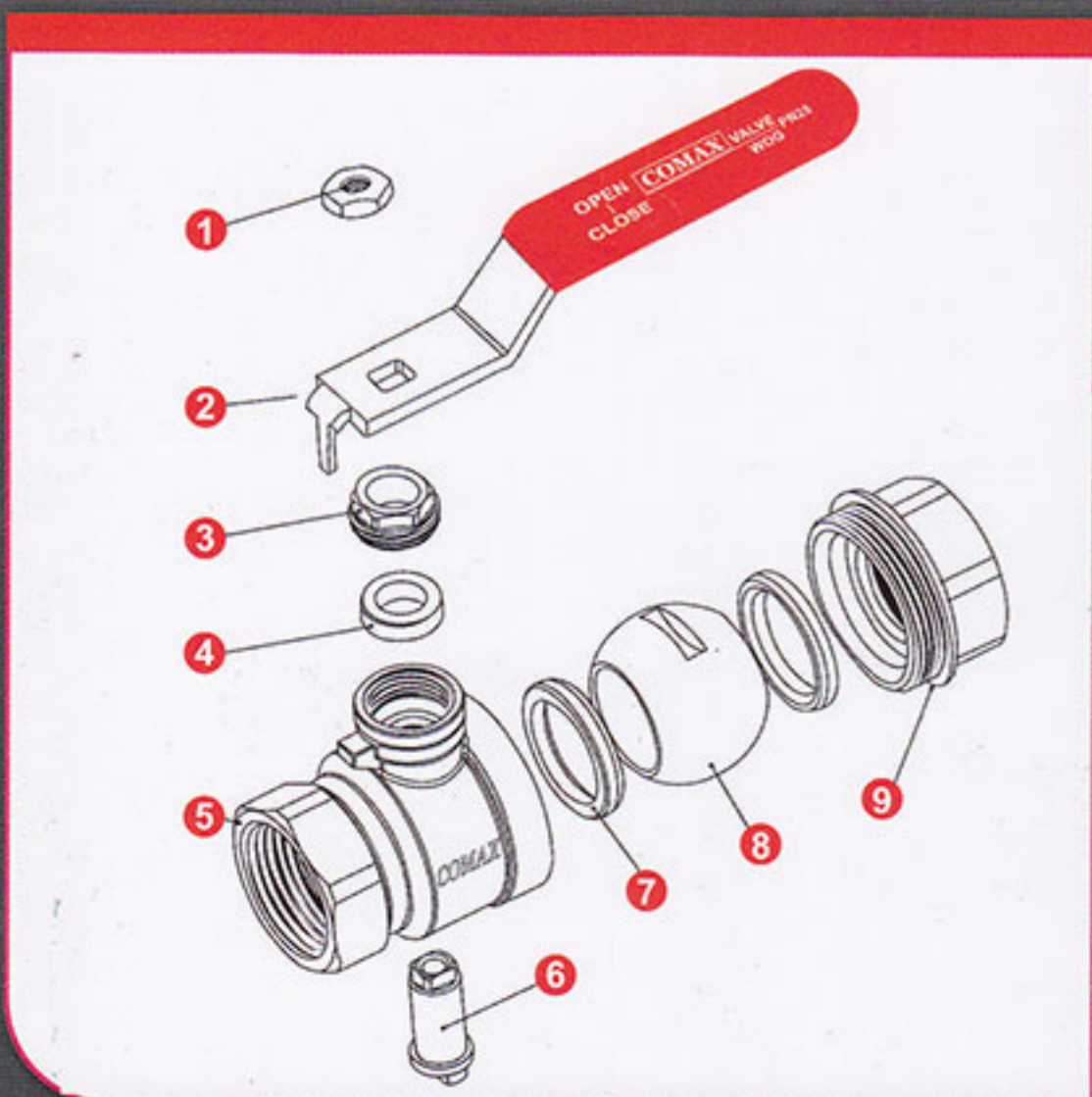
COMAX[®]

FULL BORE (W.O.G) NIKED PLATED
BRASS HANDLE BALL VALVE



DIMENSIONS

Ø (in)	A (mm)	B (mm)	H (mm)	O (mm)
1/4"	43	10	42	10
3/8"	43	10	42	10
1/2"	48	10	51	14
3/4"	54.5	11	53.5	19
1"	66	15	54	24.5
1 1/4"	70	14.5	66.5	29.5
1 1/2"	80.5	18	70	35.5
2"	93	20.5	90	44
2 1/2"	115	23	108	56
3"	138	26	120	70
4"	174	35	130	86



MATERIALS

No.	PART	MATERIAL
1	NUT	BRASS ASTM B283 C3700
2	HANDLE (RED)	STEEL ASTM A36 DACROMET PLATED
3	PACKING - NUT	BRASS ASTM B124 C3700
4	PACKING - RING	P.T.F.E
5	BODY	BRASS ASTM B283 C37700 CHROMIUM PLATER
6	STEM	BRASS ASTM B124 C3700
7	SEAT	P.T.F.E
8	BALL	BRASS ASTM B283 C37700 CHROMIUM PLATER
9	FIXED END	BRASS ASTM B283 C37700 CHROMIUM PLATER

FEATURES

- Forging of casting brass body
- Application : Water, Oil and Gas